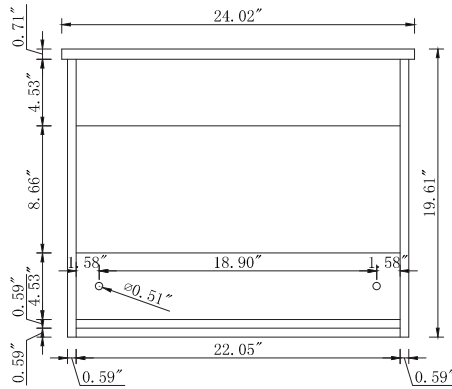
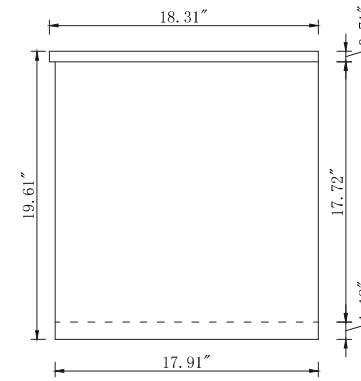


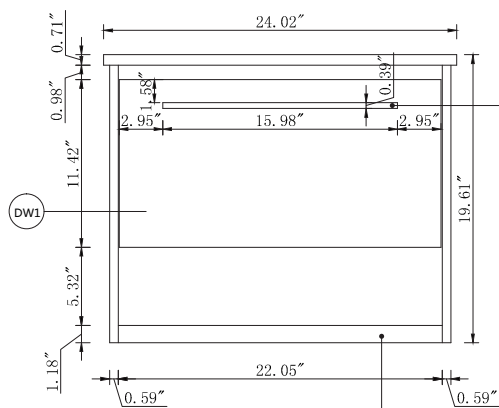
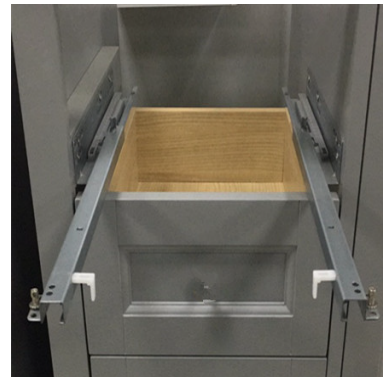
Top view



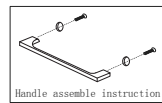
Back view



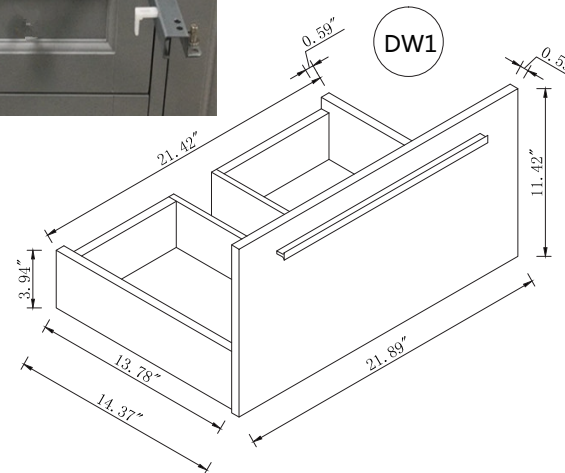
Side view



Front view



Handle assemble instruction



Drawer Interior Size

DWG. NO.:

MODEL NO.:

VF43524MBL

ALTERATIONS

1	
2	
3	
4	

FOR PROPOSAL ONLY ALL DIMENSIONS TO BE VERIFIED

SCALE:

DWG. BY:

CHECKED BY:

DATE:

PROJECT:

Qty:

Color:

DRAWING TITLE:

FINISH:

Elegant



Decor

ELEGANT LIGHTING